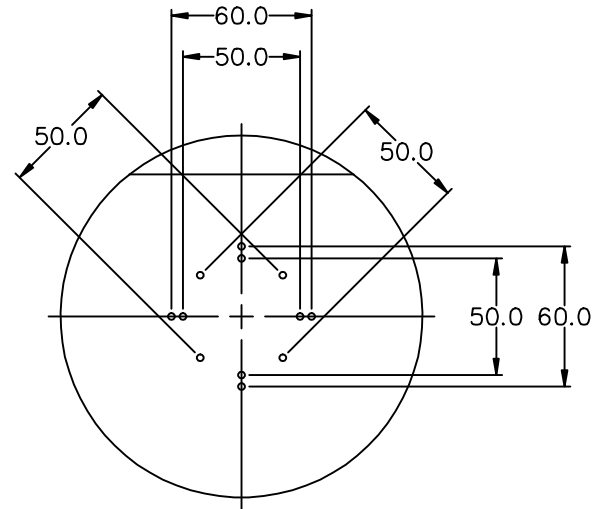
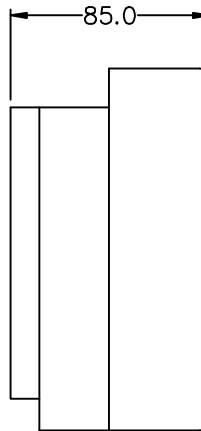
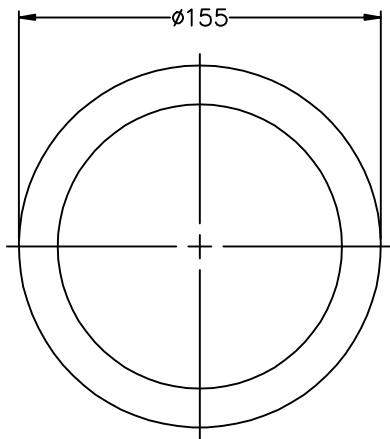


THIS DOCUMENT CONTAINS DATA PROPRIETARY TO PROJECTS UNLIMITED, INC. ANY USE OR REPRODUCTION, IN ANY FORM, WITHOUT PRIOR WRITTEN PERMISSION OF PROJECTS UNLIMITED, INC. IS PROHIBITED.
 ©2005, Projects Unlimited Inc.

SPECIFICATIONS

PARAMETERS	VALUES	UNITS
RATED VOLTAGE	12	Vdc
OPERATING VOLTAGE RANGE	9 ~ 15	Vdc
CURRENT CONSUMPTION @ 12Vdc	60	mA
SOUND OUTPUT @ 12Vdc	93 ~ 95	dBA
INGRESS PROTECTION	IP55	-
GONG COLOR	RED	-
OPERATING TEMPERATURE	-10 ~ +55	°C
BASE MATERIAL	POLYCARBONATE	-
GONG MATERIAL	STEEL	-
WEIGHT	110	grams

REVISIONS			
LTR	DESCRIPTION	DATE	APPROVED
-	RELEASED FROM ENGINEERING	12/16/05	
A	ADDED RoHS NOTE	5/22/07	R.W.



NOTES:

1. ALL DIMENSIONS ARE IN MILLIMETERS.
2. SPECIFICATION SUBJECT TO CHANGE OR WITHDRAWAL WITHOUT NOTICE.
3. THIS PART IS RoHS 2002/95/EC COMPLIANT.

FILE NAME
AWB-25R6-12.DWG

UNLESS OTHERWISE SPECIFIED:
DIMENSIONS ARE IN MILLIMETERS. TOLERANCES ARE ±0.5 AND ANGLES ARE ±3°.

APPROVALS	DATE
DRAWN <i>J.A.F.</i>	12/05
CHECKED <i>E.P.</i>	12/05
APPROVED <i>B.R.</i>	12/05



projects®
unlimited

Dayton, Ohio

BELL

SIZE
A

DRAWING NO.
AWB-25R6-12

DO NOT SCALE DRAWING

SCALE: N.T.S.

SHEET 1 OF 1